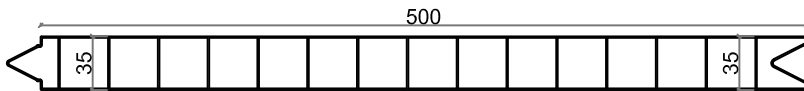
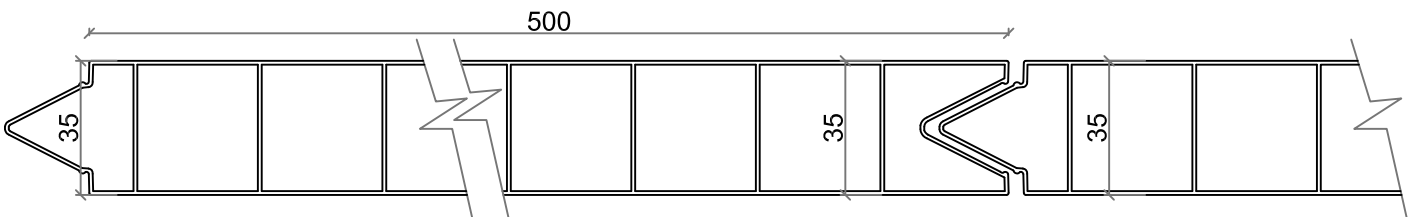


DURASPAN 35mm COST EFFECTIVE TEMPORARY AND PERMANENT PARTITION SYSTEM.
 500mm wide x 35mm thick EXTRUDED, RECYCLED PVC PANEL
 PARTITIONS CAN GO FROM 1m UP TO 6m high DEPENDANT ON FIXINGS.

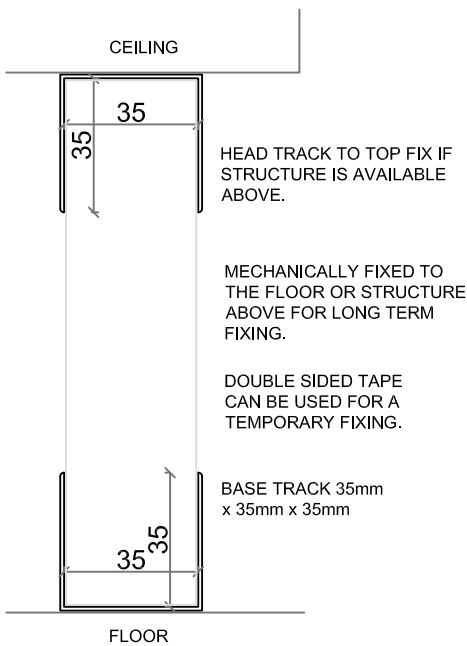


DURASPAN KKDURA - 500 X 35mm 1:5

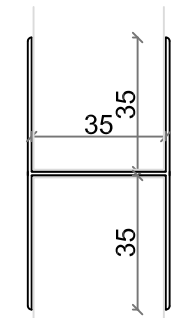
DURASPAN 35mm BOARD VERTICAL INTERLOCKING SYSTEM, WITH 500mm WIDE BOARDS.



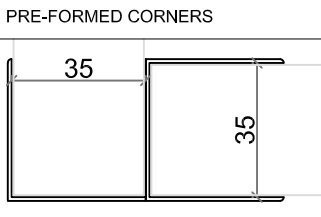
DURASPAN 1:2



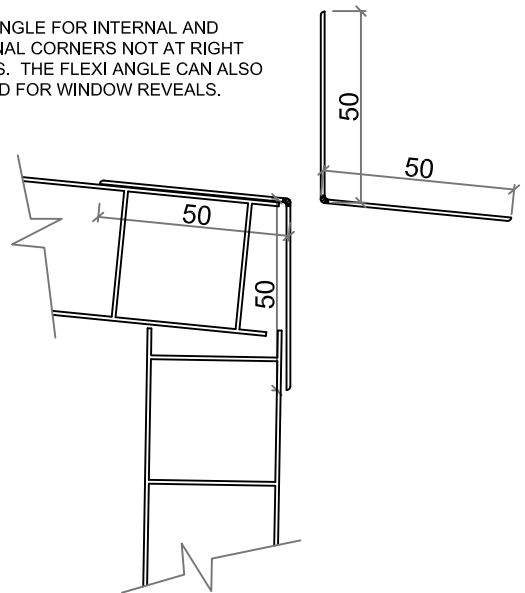
FLEXI ANGLE FOR INTERNAL AND EXTERNAL CORNERS NOT AT RIGHT ANGLES. THE FLEXI ANGLE CAN ALSO BE USED FOR WINDOW REVEALS.



**H-SECTION 1:2
KKDHD - 35mm**



**CORNER 1:2
KKDCP - 35mm**



**FLEXI ANGLE 1:2
KKDC50 - 50mm X 50mm**

**TRACKS 1:2
KKDET - 35mm**

NOTES

DURASPAN IS AN EXTRUDED 35mm BOARD - 4.4kg/m. THE UV VALUES FOR THIS PRODUCT BASED ON THE FORMULA OF THIS PVC COMPOUND HAS A GOOD WEATHERING PERFORMANCE. THIS PRODUCT IS MADE FROM 100% RECYCLED OLD WINDOW FRAMES, WHICH PROVIDES A COST EFFECTIVE PARTITIONING SYSTEM; IT CAN BE USED FOR PERMANENT FACTORY PARTITIONS AS A LOWER COST ALTERNATIVE TO OTHER SYSTEMS.

CLEANING STRATEGY FOR O&M MANUALS SEE CSO&M DATA SHEET.

NBS Ref: Q40/430