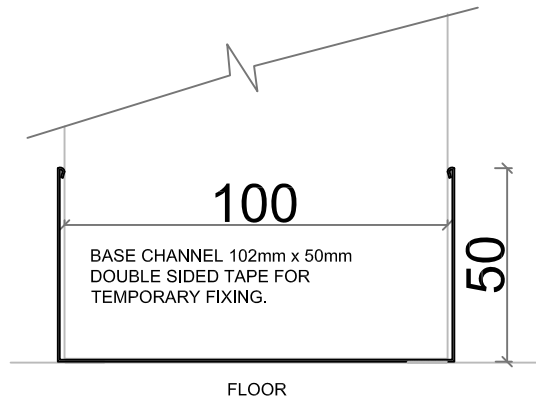
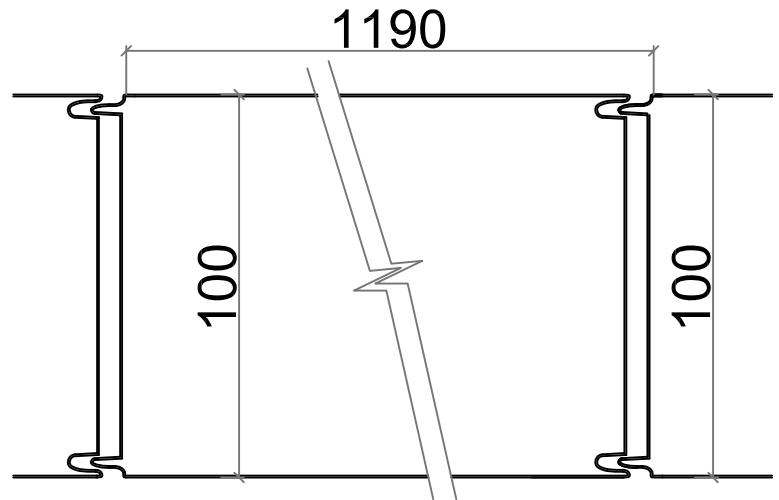


SOUNDMASTER FOR WALLS & CEILING APPLICATIONS.  
 INTERNAL & EXTERNAL COMPOSITE PANELING GIVING UP TO 2 HOUR FIRE RATING  
 10.73m high x 1190mm wide x 100mm thick FLAT PANEL

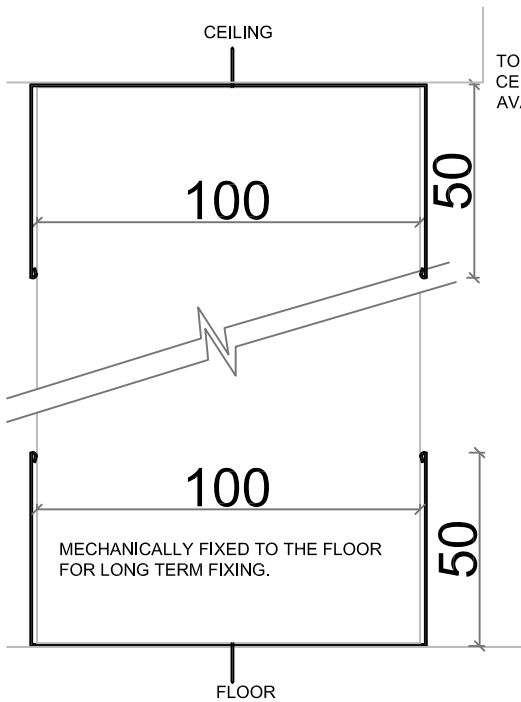
BASE CHANNEL 1:2



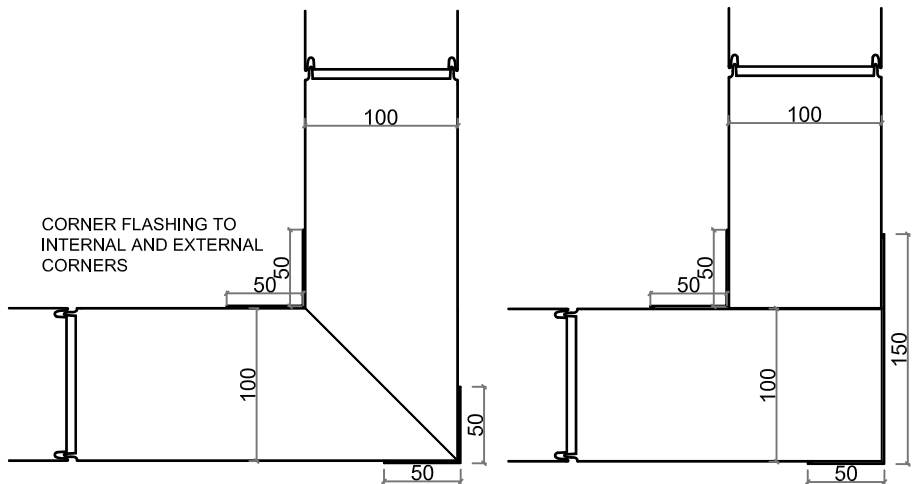
PANEL 1:2



HEAD & BASE CHANNEL 1:2



TOP FIX HEAD CHANNEL TO CEILING STRUCTURE IF IT IS AVAILABLE ABOVE.



CORNERS 1:5

NOTES

POLYISOCYNAURATE (PIR) AND MINERAL FIBRE PROVIDE GOOD INSULATION AND FIRE BARRIER. THE EXTERNAL/INTERNAL FACING MATERIAL IS HOT DIPPED GALVANISED STEEL 0.5 OR 0.7MM THICK. THE STANDARD PANEL WIDTH IS 1190MM AND THE THICKNESS RANGES FROM 40mm UP TO 200mm. KWIK-KLIK RECOMMEND THE USE OF INTUMESCENT MASTIC WHEN INSTALLING FIRE RATED PANELS. RIVETS AND TEK SCREWS ARE COMMONLY USED TO FIX ACCESSORY FLASHINGS AND BASE CHANNEL ITEMS. THE 150MM THICK MW PANEL CAN GIVE 2HR FIRE RATING UP TO 10.73M WITH NO INTERMEDIATE FIXINGS JUST SECURED TOP AND BOTTOM ON ALL PANEL THICKNESS. PLEASE REVIEW TABLES 1, 2 AND 3 ON THE FOLLOW SHEET (KK0002) FOR COMPOSITE PANEL TECHNICAL DATA, LOAD SPANS, THERMAL PROPERTIES, PANEL WEIGHT AND SOUND PROPERTIES.

CLEANING STRATEGY FOR O&M MANUALS SEE CSO&M DATA SHEET.

NBS Ref: H43/120